

> Hydraulic COMPACT 95L



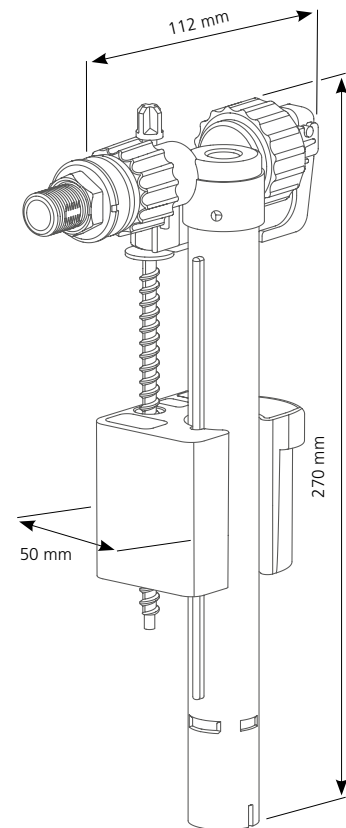
HYDRAULIC
CLOSURE



AVAILABLE IN
1/2" AND 3/8"
BRASS

DESCRIPTION

- > Compact
- > Can be installed into ceramic or plastic cisterns, recessed or low level cisterns, for replacement or as original equipment
- > Hydraulic closure (no water hammer shock)
- > Adjustable water level
- > Quiet
- > Anti-backflow function
- > Filter can be reached without disconnecting from water supply
- > 1/2" plastic, 1/2" & 3/8" brass end-fitting
 - 1/2" plastic:
 - flow rate : 0.14l/s at 3 bars
 - Pressure function range from 0.5 to 10 bars
 - 1/2" brass:
 - flow rate : 0.14l/s at 3 bars
 - Pressure function range from 0.5 to 10 bars
 - 3/8" brass :
 - flow rate : 0.13l/s at 3 bars
 - Pressure function range from 0.5 to 10 bars



TEXT FOR TENDERS:

COMPACT 95L WRAS NF

Side entry inlet valve with 1/2" & 3/8" brass connection 1/2" plastic, WRAS and NF certified and 10-year-guarantee.

Features : quiet, hydraulic closure, adjustable water level and anti-back flow. Maintenance without the need for full disassembly. Length 270mm, width 112mm, depth 50mm.

	Ref.	Barcode	Packing	Packing			Pallet quantity
				Nb	M ³	Kg	
COMPACT 95L 1/2" plastic	30 9506 07	3 24723 001493 4	Bag	50	0.08	14.5	750
COMPACT 95L 1/2" & 3/8" brass	30 9565 10	3 24723 007068 8	Box	24	0.08	9.6	360